

CamServer®

Models CSR3 – 3 gallon (11,5 L)
 CSR5 – 5 gallon (19 L)



Features & Benefits

- Attractive design is perfect for front-of-the-house and provides hot beverage service without the need for any external heating sources! Coffee and other beverages stay hot for hours and maintain their natural flavor.
- Serving capacity:
 Model CSR3 - 54 each 7 oz. (210 mL) cups
 Model CSR5 - 91 each 7 oz. (210 mL) cups
- Two decorative interchangeable brass plates are included to help clearly identify contents. (Coffee/decaf or tea/hot water)
- Double-wall, high-density, polyethylene construction is durable and dishwasher safe. Resists dings and dents.
- Polyurethane foam insulation provides excellent temperature retention.
- Durable nylon side latches are easy to open and close.
- Convenient refill cap, funnel opening and self-aligning lid provide easy front loading and refilling. Self-sealing gasket helps retain beverage temperatures.
- High spigot for convenient serving height.
- Non-electrical.
- No assembly required.
- Available in 3 colors.

Item No. _____

Specifier Identification No. _____

Model No. _____

Quantity _____



CSR3

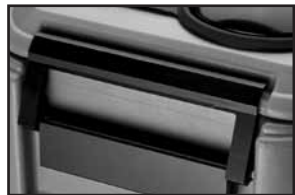
CSR5



Convenient height dispenser.



Attractive brass identity plate.

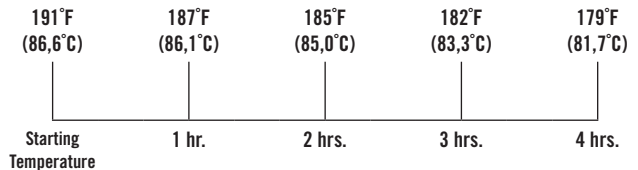


Durable full size nylon latches.



Convenient, safe top filling.

HOT



Approvals



CamServer®

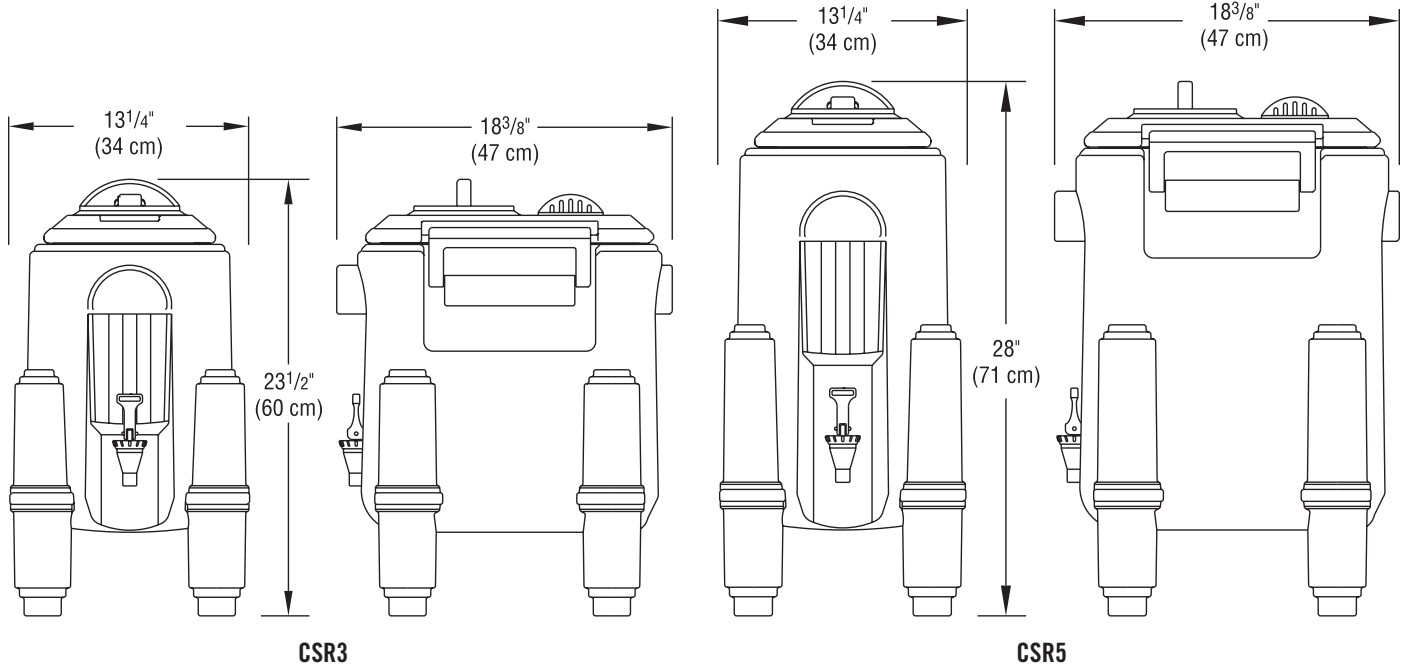
Models CSR3 – 3 gallon (11,5 L)
 CSR5 – 5 gallon (19 L)

Item No. _____

Specifier Identification No. _____

Model No. _____

Quantity _____



Specifications

Code	Description	Total Capacity	Serving Capacity 7 oz. (210 mL) cups	Dimension Tolerance: +/- 1/4" (0,64 cm)	
				Dimensions W x D x H	Case lbs./cube Kg/m ³
CSR3	CamServer	3 gallon (11,5 L)	54	13 1/4" x 18 3/8" x 23 1/2" (34 x 47 x 60 cm)	19 (3,29) 8,6 (0,092)
CSR5	CamServer	5 gallon (19 L)	91	13 1/4" x 18 3/8" x 28" (34 x 47 x 71 cm)	21 (3,87) 9,5 (0,108)

Architect Specs

The portable, non-electrical hot beverage server shall be a CamServer, Models CSR3 or CSR5, manufactured by Cambro Mfg. Co., Huntington Beach, CA 92647 U.S.A. It shall be made of one-piece, seamless, double-wall polyethylene and foam-injected polyurethane. It shall have two decorative interchangeable brass plates to use for product identification. It shall have durable, nylon, easy-to-open side latches. It shall have a top front, refill cap and a funnel opening for convenient beverage filling. It shall have a self-aligning lid with a self-sealing gasket. It shall have a high serving spigot designed with easy finger adjustment. It shall not require any assembly and shall be available in 3 colors.

Standard Colors

- Black (110)
- Dark Taupe (417)
- Granite Gray (191)

Approvals



© Cambro Manufacturing Company 5801 Skylab Road, Huntington Beach, CA 92647-2056, U.S.A.
 Telephone 714 848 1555 Toll Free 800 854 7631 Customer Service Department 800 833 3003